

Linno ONE will be available 2nd quarter of 2017.
Express & Crystal will be available in the 3rd quarter.

compliment lights & more ▼

CRYSTAL 1.0



SPECIFICATIONS

Voltage	110V - 240V
Frequency (Hz)	50 - 60
Wattage (W)	9 (GLOW) 8.5 (CRYSTAL)
Efficacy (lm/W)	85
LED Lifespan(h)	50,000
Wifi enabled	Yes
Material	Aluminium housing, Polycarbonate, Acrylic
Finish	Black
Certification	UL ENEC CE

FULLY ADJUSTABLE SMART BULB

The Crystal combines all the best functionality found in LED smart bulbs with the visual impact of filaments bulbs. Our award winning smart bulb can be adjusted for brightness, warmth and colour using the Linno Black remote control.

DOWN 1.0

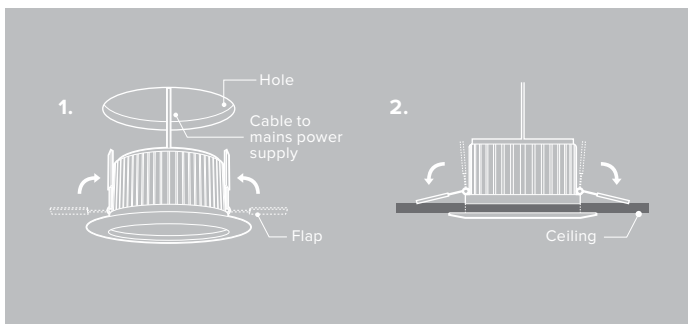


SPECIFICATIONS

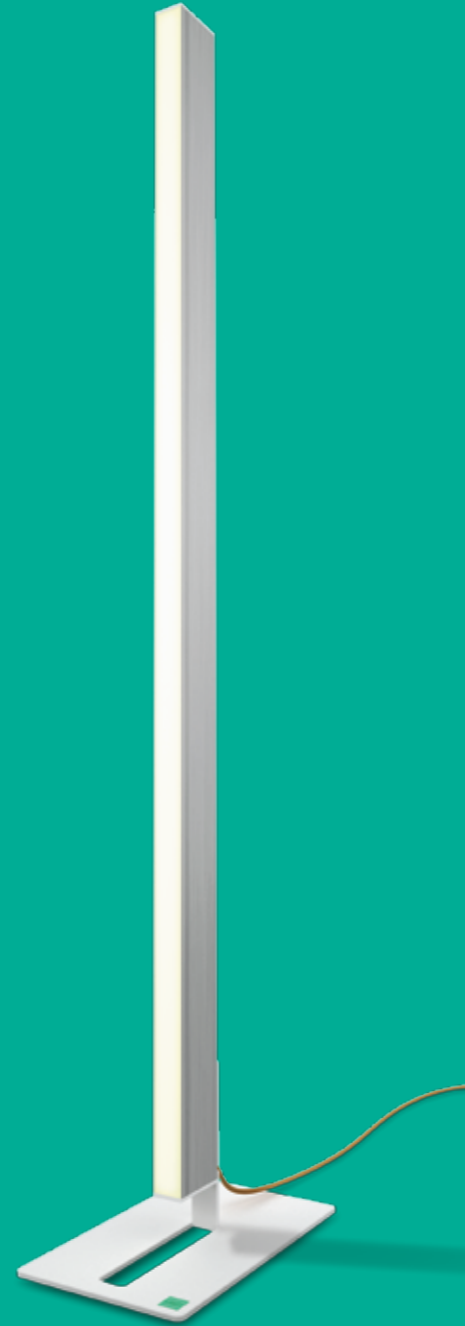
Voltage	110V - 240V
Frequency (Hz)	50 - 60
Wattage (W)	12 (5" Down) 6 (3" Down)
Efficacy (lm/W)	80
LED Lifespan(h)	50,000
Wifi enabled	Yes
Material	Aluminium housing, Polycarbonate
Finish	White

GET DOWN WITH LINNO

The Down 1.0 is a smart down light that's fully adjustable for dimming, colour temperature and RGB colours. Using the same wireless Smart technology as all Linno smart lights, our down light can be controlled using the remote control.



ONE



THE LINEAR FLOOR LAMP

The one-and-only LED linear floor lamp combines full light adjustability and wireless control in a striking contemporary design.



*Available i33F or i33H